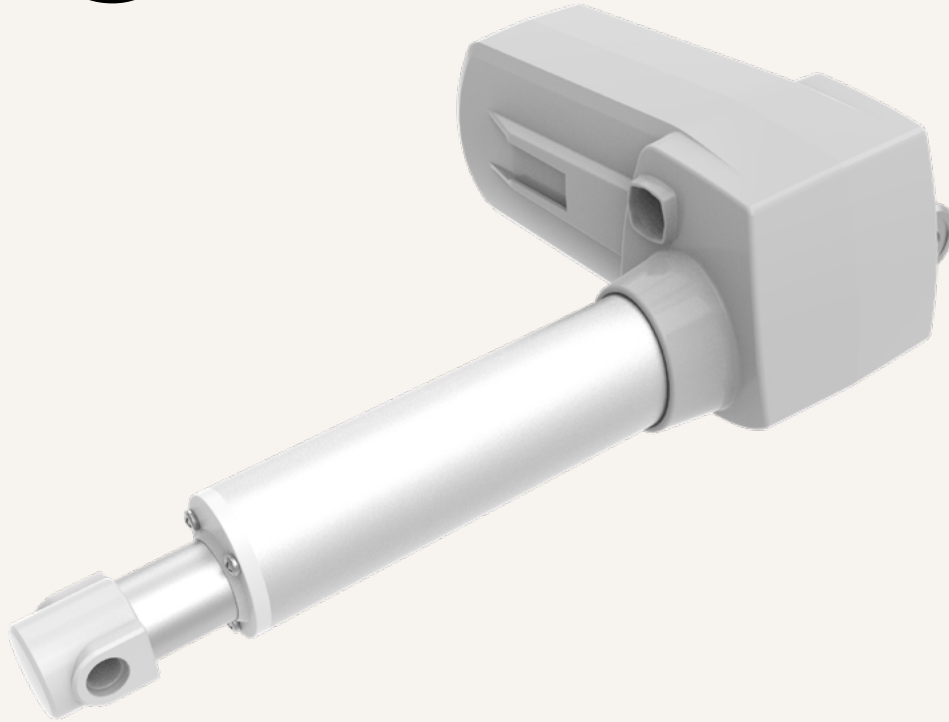


TA37

series



Product Segments

- **Care Motion**

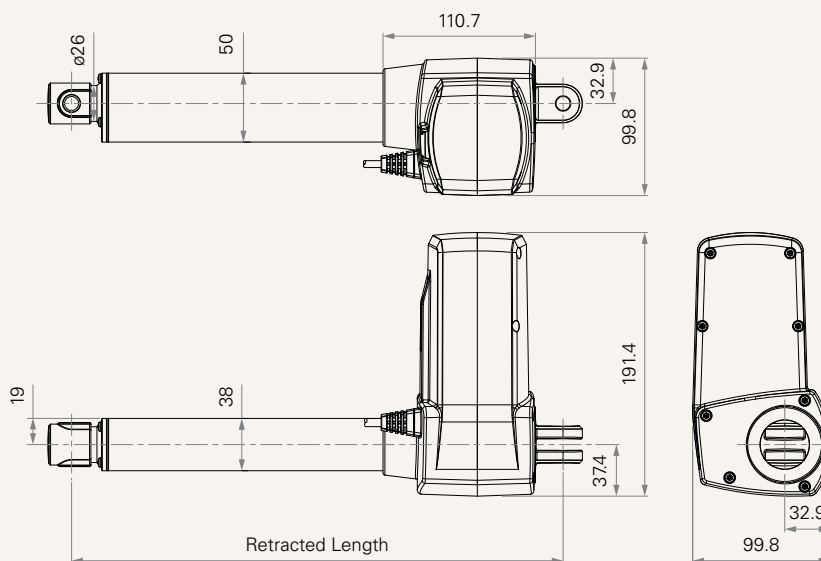
TA37 is one of our high quality medical actuators. TA37 is recommended for the demanding force medical applications. It remains stable speed even under heavy loading. The maximum stroke of TA37 is up to 1000mm and its IP rating can support up to IP66W. The suitable medical applications for TA37 are treatment tables or patient hoist systems.

General Features

Max. load	12,000N (push)
Max. speed at max. load	5.3mm/s
Max. speed at no load	31.1mm/s
Retracted length	≥ Stroke + 170mm
IP rating	IP66W
Certificate	IEC60601-1
Stroke	25~1000mm
Output signals	Hall sensors
Options	Manual release (for patient hoist)
Voltage	24 / 36V DC (thermal protector)
Color	Black or grey
Operational temperature range	+5°C~+45°C
Suitable for patient hoist application	

Drawing

Standard Dimensions
(mm)



Load and Speed

CODE	Load (N)	Self Locking Force (N)	Typical Current (A)		Typical Speed (mm/s)	
	Push		No Load 32V DC	With Load 24V DC	No Load 32V DC	With Load 24V DC
Motor Speed (4100RPM, duty cycle 10%)						
B	4000	4000	2.0	8.0	31.1	18.0
C	6000	6000	2.0	10.0	23.1	13.3
D	8000	8000	2.0	8.4	13.3	8.3
E	10000	10000	2.0	9.2	11.5	7.0
F	12000	12000	2.0	9.2	8.7	5.3

Note

- 1 Please refer to the approved drawing for the final authentic value.
- 2 Max static pull load 4,000N, dynamic pull not allowed.
- 3 This self-locking force level is reached only when a short circuit is applied on the terminals of the motor. All the TiMOTION control boxes have this feature built-in.
- 4 The current & speed in table are tested with 24V DC motor. With a 12V DC motor, the current is approximately twice the current measured in 24V DC. With a 36V DC motor, the current is approximately two-thirds the current measured in 24V DC. Speed will be similar for all the voltages.
- 5 The current & speed in table are tested when the actuator is extending under push load.
- 6 The current & speed in table and diagram are tested with TiMOTION control boxes, and there will be around 10% tolerance depending on different models of the control box. (Under no load condition, the voltage is around 32V DC. At rated load, the voltage output will be around 24V DC)
- 7 Standard stroke: Min. ≥ 25mm, Max. please refer to below table.

CODE	Load (N)	Max Stroke (mm)
B	4000	1000
C	6000	900
D	8000	800
E	10000	650
F	12000	450